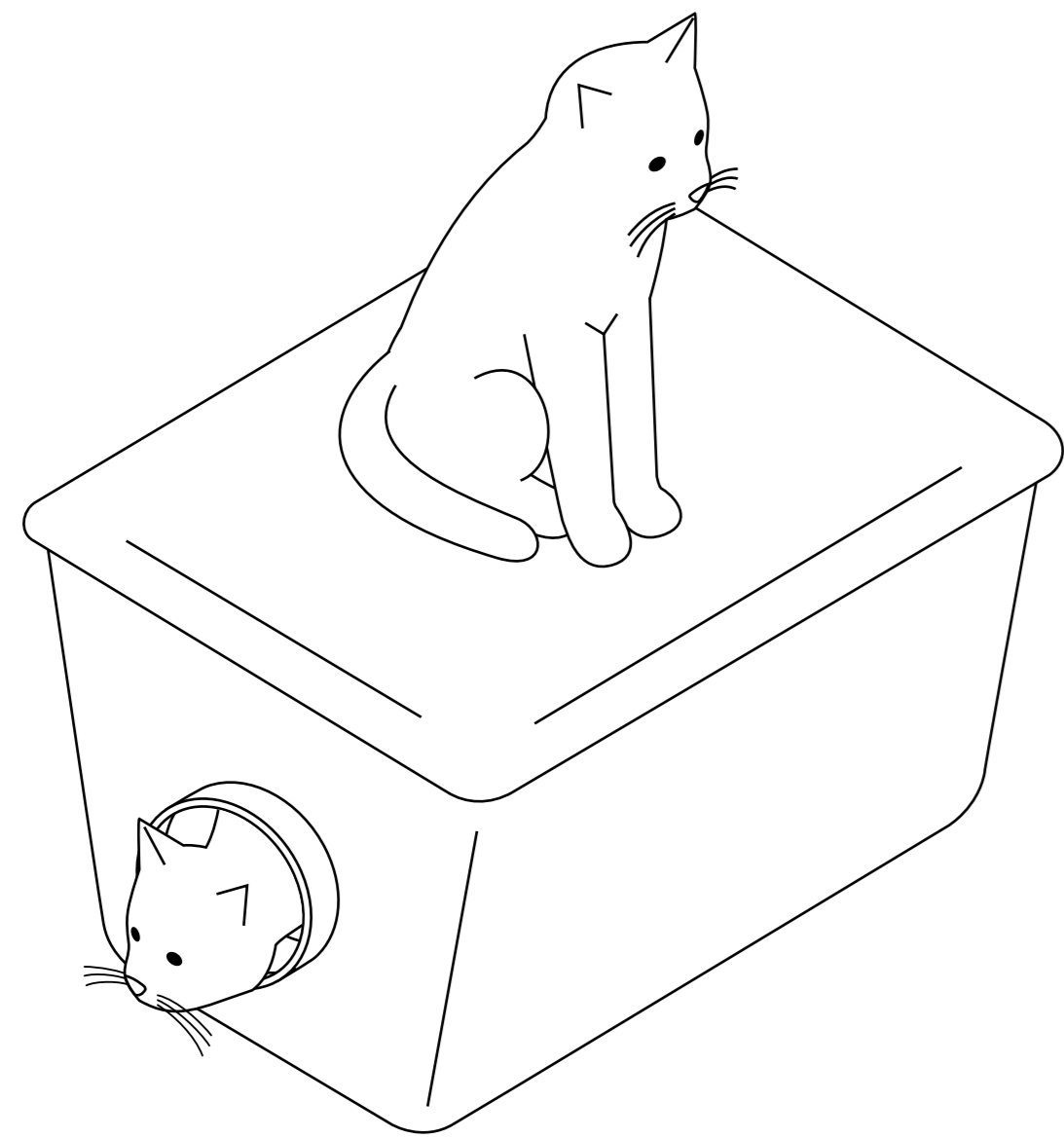


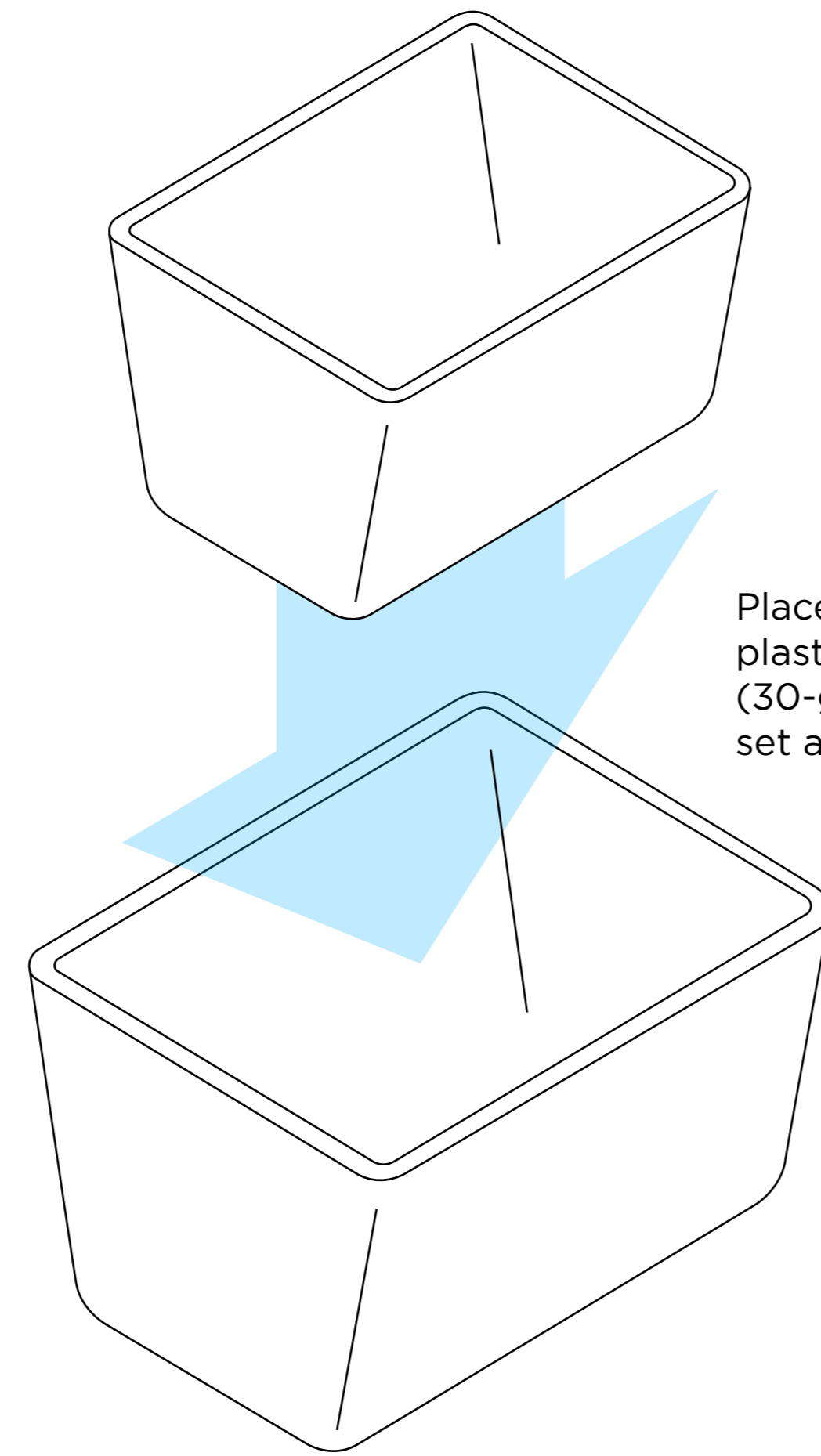


How to Build a Winter Cat Shelter



MildKingdom.org

1



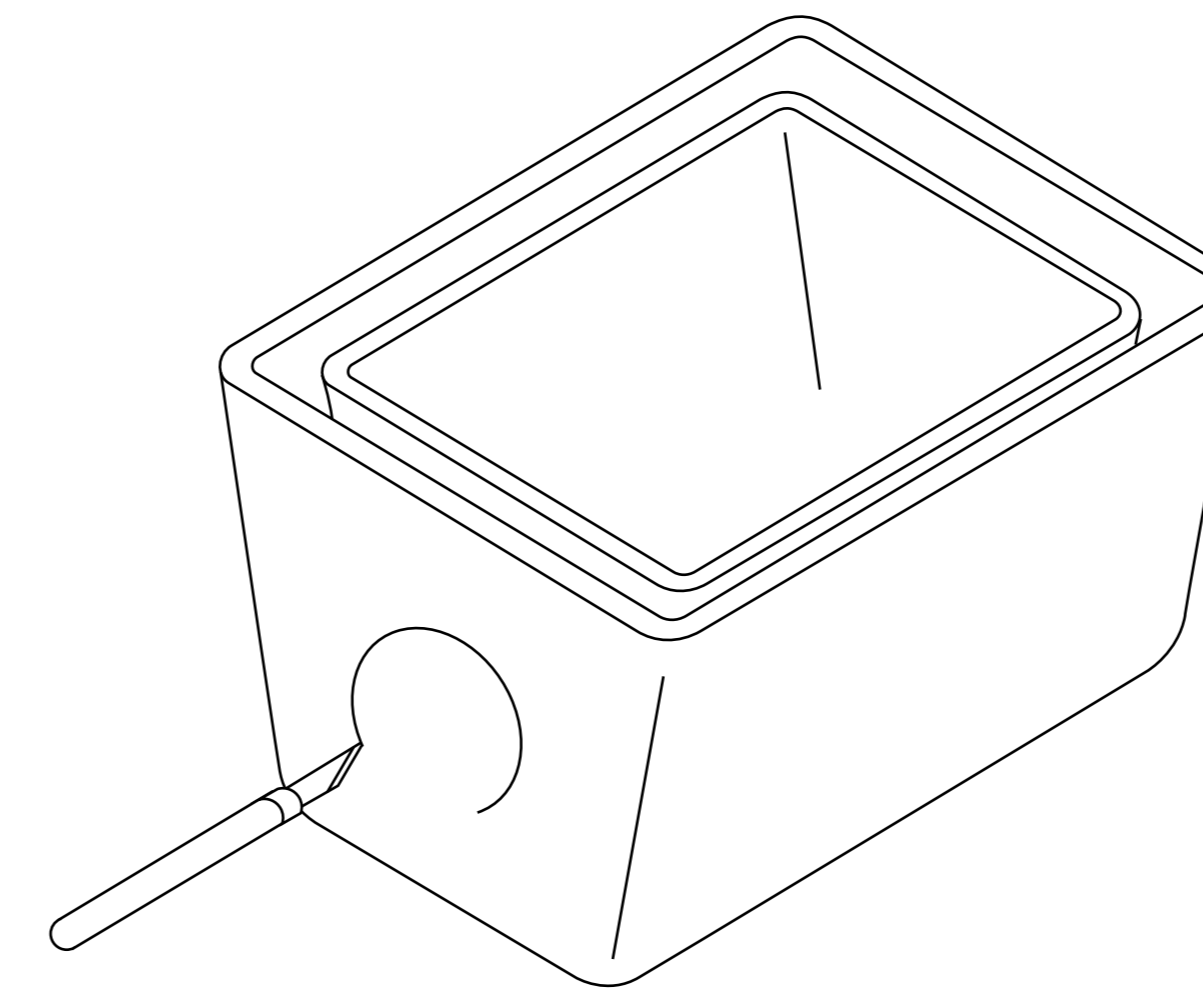
Place a medium (18-gallon) plastic bin inside a large (30-gallon) plastic bin and set aside both lids for later.

MildKingdom.org

2

Using a coffee can (or similar) trace a 6" circle on the outside of the larger bin; this size will accommodate cats but not raccoons.

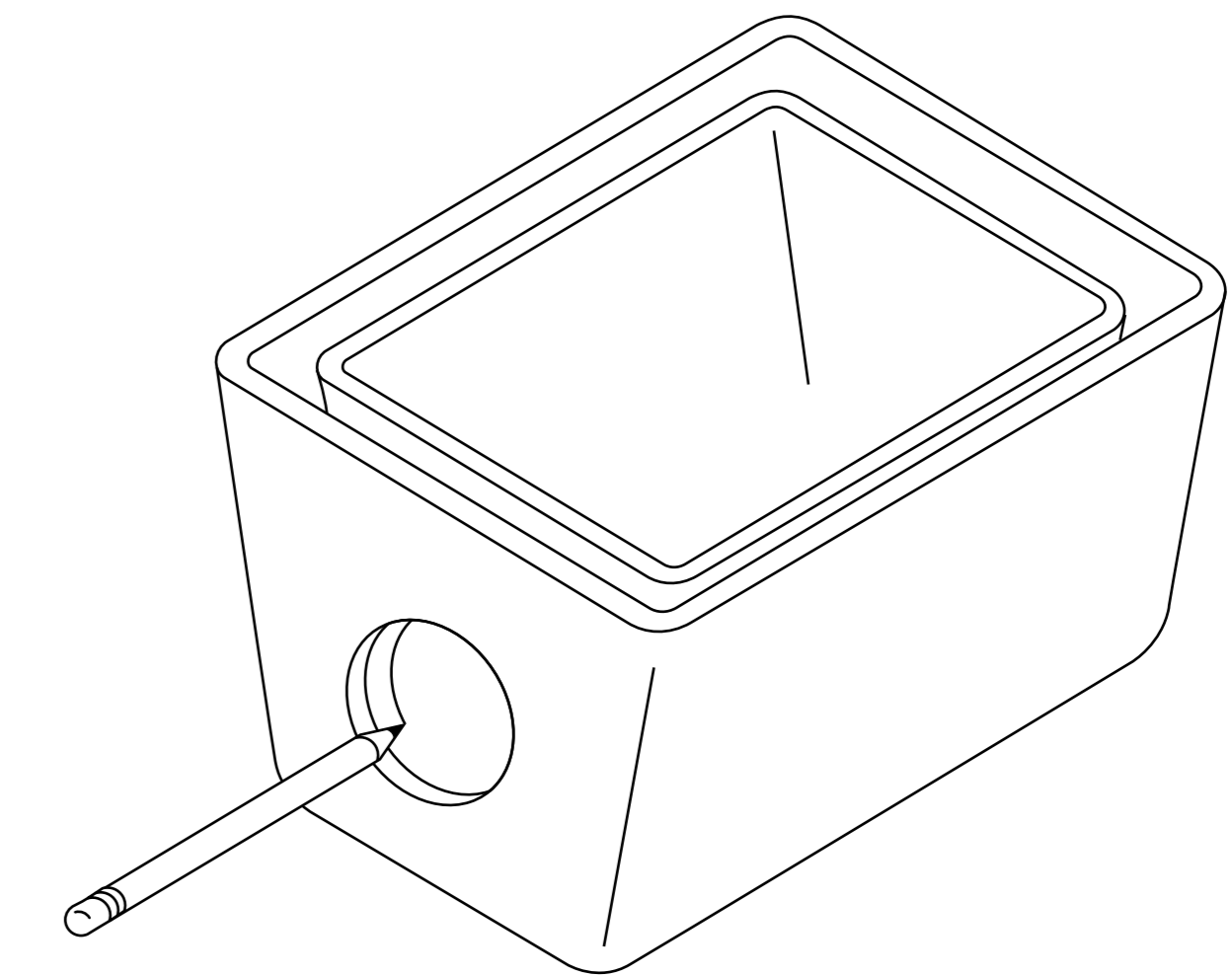
Next, cut out and remove the circle with a 6" hole saw or a carpet knife.



MildKingdom.org

3

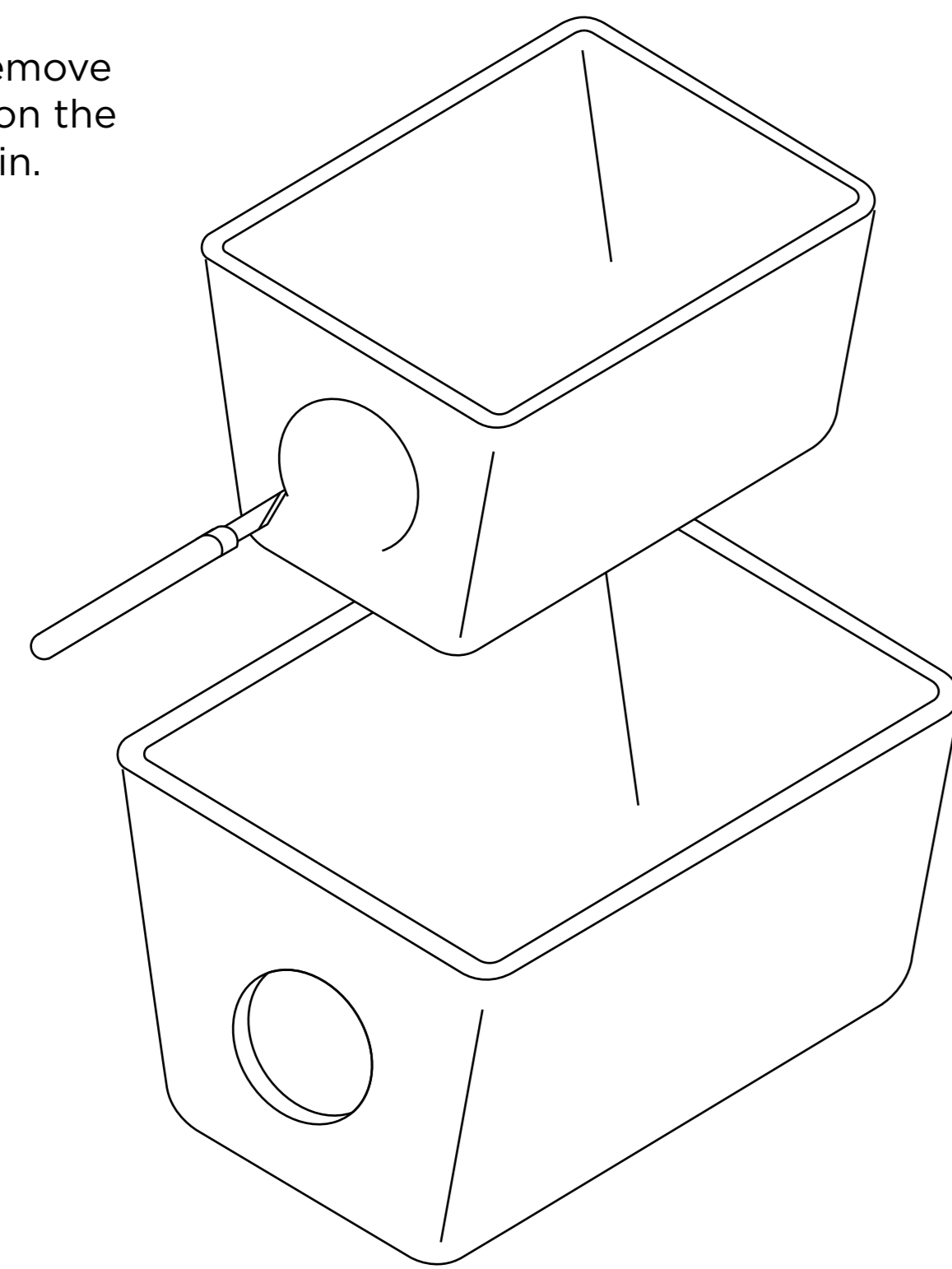
Use the new hole on the larger bin to trace a circle on the medium bin.



MildKingdom.org

4

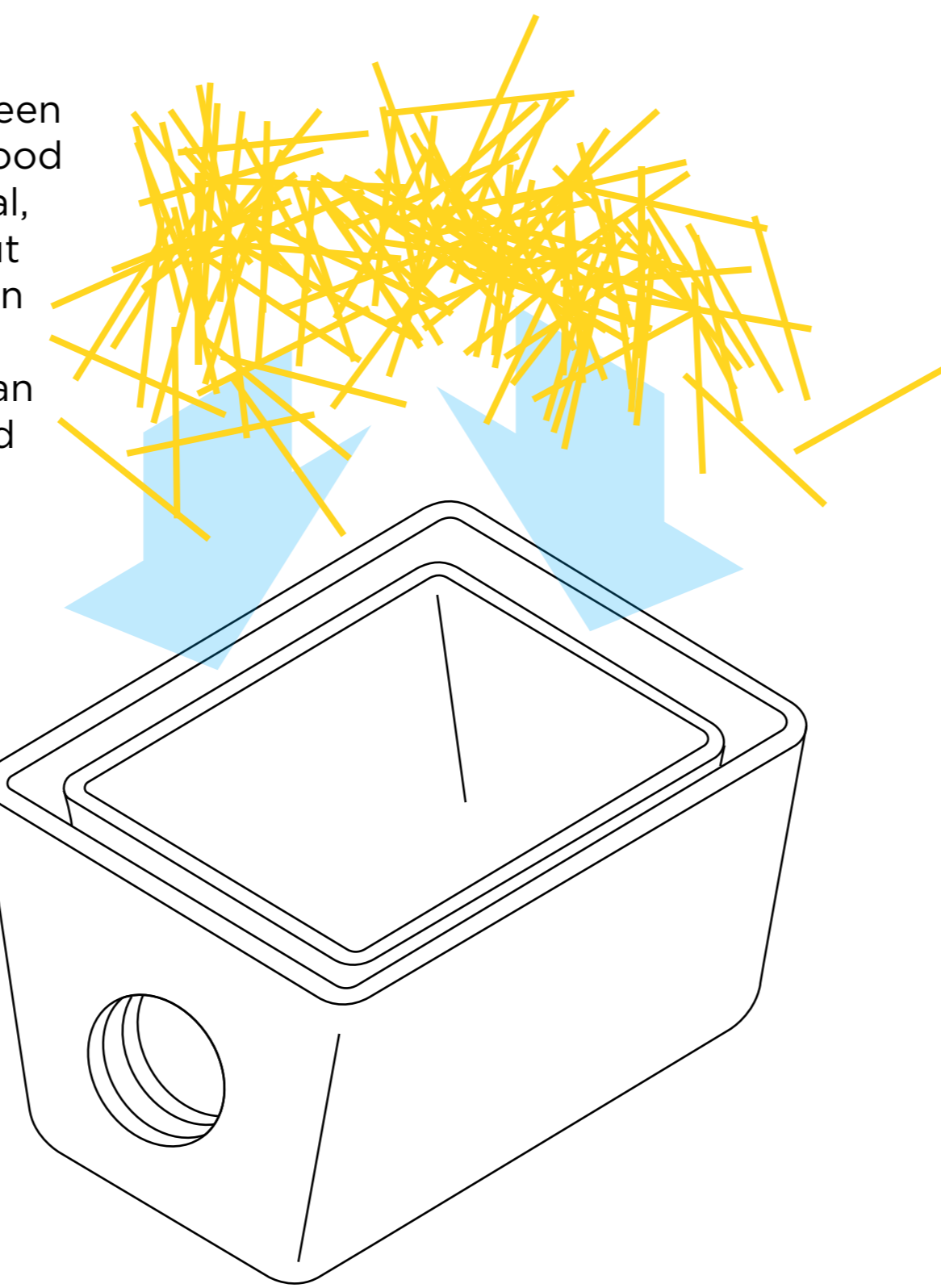
Cut and remove the circle on the medium bin.



MildKingdom.org

5

Fill the gap between the bins with a good insulation material, such as straw (but not hay, which can cause allergic reactions). You can also use shredded newspaper or packing pellets.

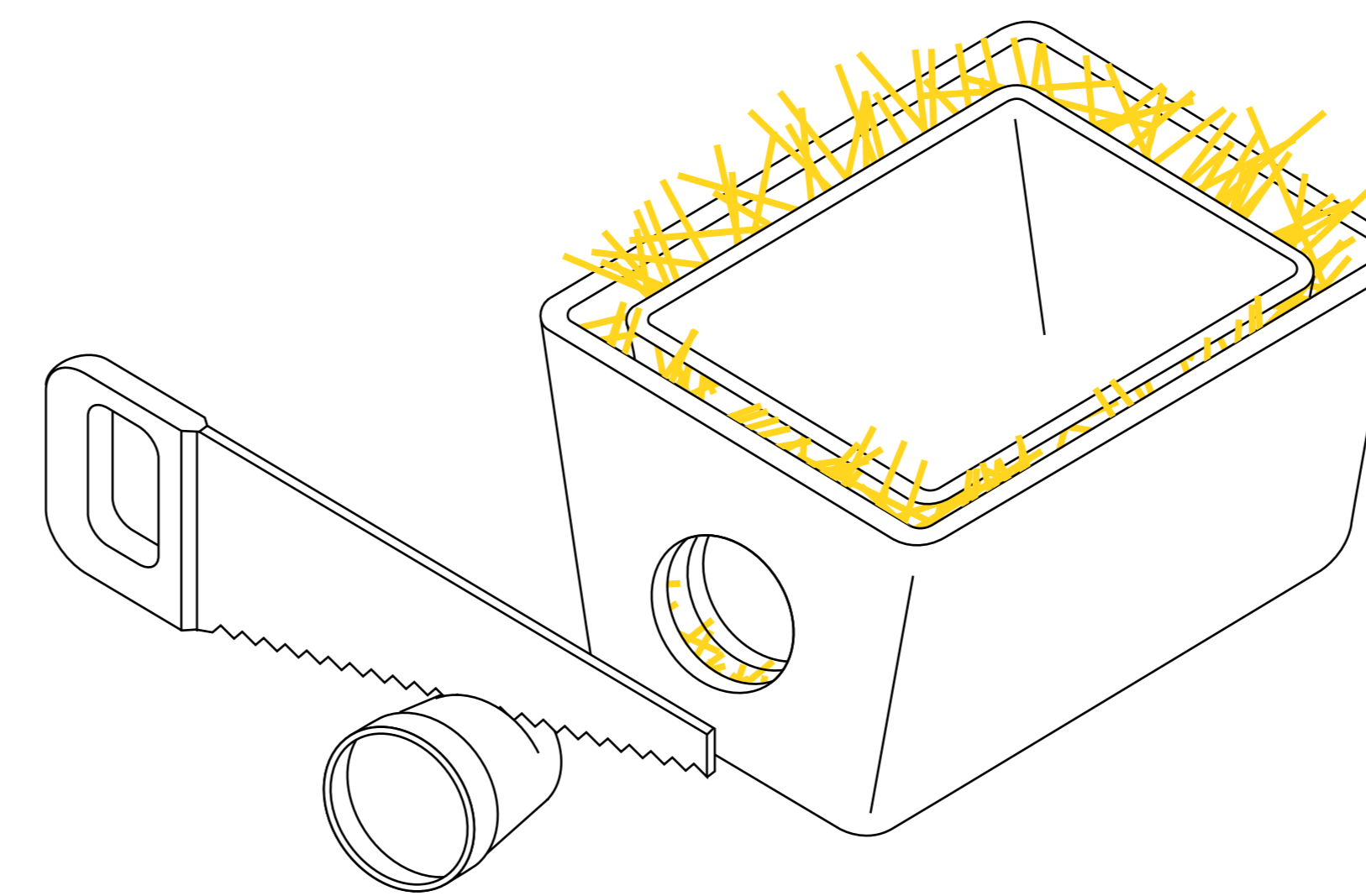


MildKingdom.org

6

Cut a section of 6" diameter PVC pipe or cut the bottom off a plastic flower pot. This will serve as the entrance.

Slide the pipe through both holes, but don't push it all the way in. This protruding section will protect from wind and rain. Duct-tape the pipe to the outer bin.



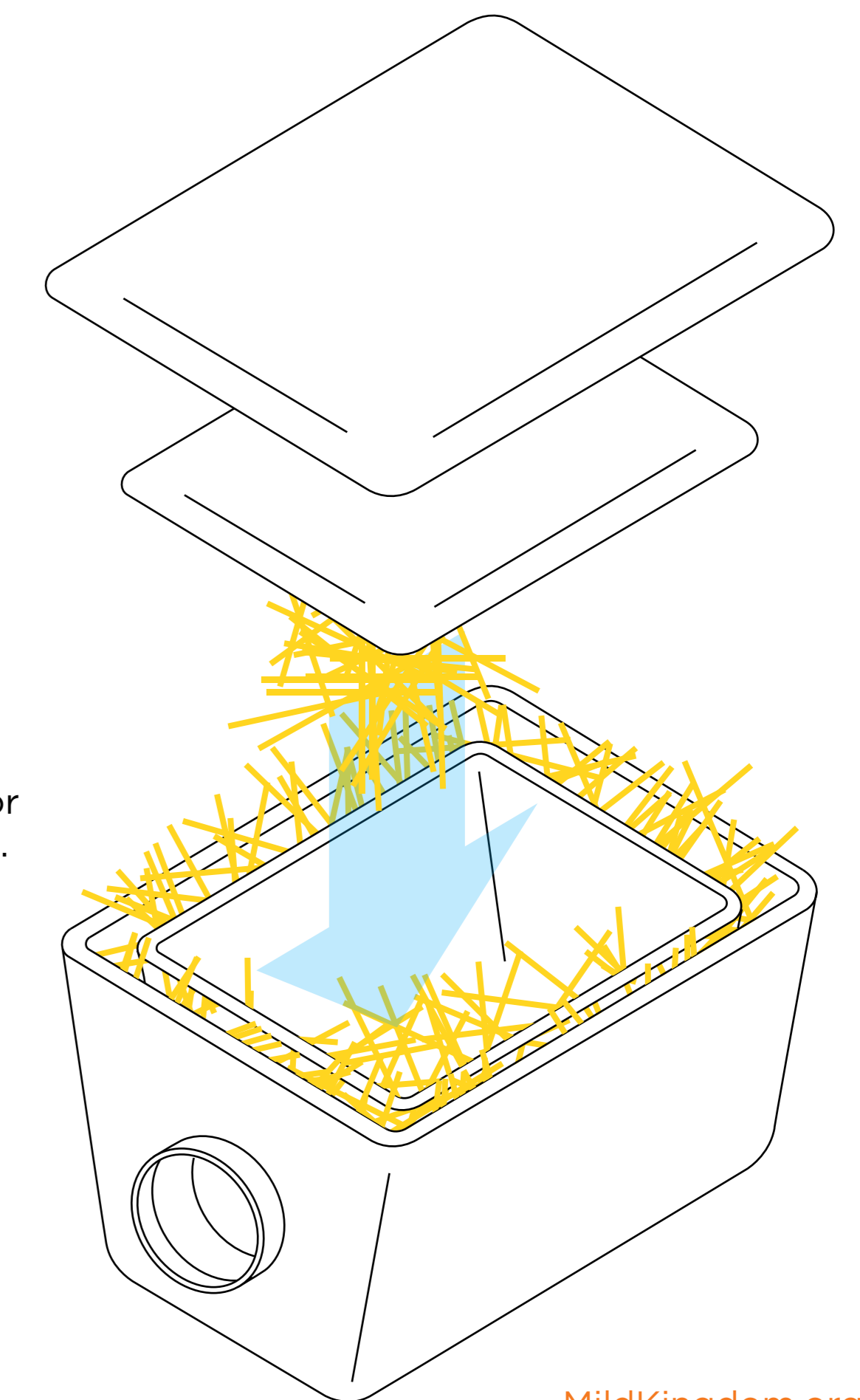
MildKingdom.org

7

Add straw or other insulation (see Step 5) to the bottom of the inner bin. Retrieve the lids to both bins and snap them shut.

Place your new cat shelter atop boards or bricks to keep it off the ground.

Position the shelter against a wall and/or away from the wind.



MildKingdom.org